

Handling System for Dishwasher Short roller conveyors with deep basin and splashback

ITEM # _____

MODEL # _____

NAME # _____

SIS # _____

AIA # _____



863071 - 863072 - 863073 - 863074 - 863075 - 863076 -
865213 - 865214 - 865215

Main Features

- Suitable to install either a single unit with dishwasher or combined with other tables.
- The table is suitable for both rack type and hood type dishwasher. Rack type dishwasher can be connected directly to the table, while there are optional accessories to adapt the table with hood type dishwasher.
- Conveyors supplied as knockdown and easy to assemble.
- "Key holes" and "snap on" system reduces the number of screws needed for fast and easy installation.
- Designed to transport 500x500 mm dishwashing baskets.
- Another rack conveyor or a dishwasher can be connected on the left or the right.
- "Snap on" system reduces the number of screws needed.
- Smooth manual rack movement on short rollers.

Construction

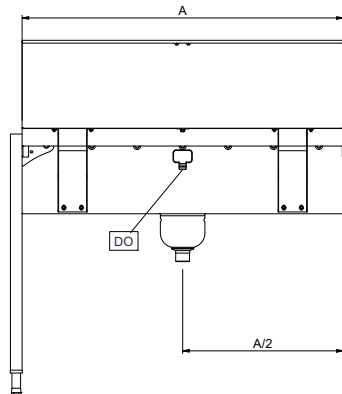
- Two legs included.
- Stainless steel feet 50 mm adjustable in height to align the operation height between the dishwasher and table.
- Thick welded flanges for sturdy connection between the units.
- All surfaces smooth with polished finish.
- AISI 304 1,2mm stainless steel basin.
- Self-bearing undershelf eliminates the need for additional frames. (only for 863071, 863072, 863073, 863074, 863075, 863076)
- Sloping bottom of the table grants a smooth and rapid drainage.
- 40x40mm stainless steel tubular and square legs.
- Stainless steel strainer to collect the food waste, then easy to remove for clean.
- Stainless steel waste bucket included. (only for 863071, 863072, 863073, 863074, 863075, 863076)
- Integrated splashback prevents water spatter.

Sustainability

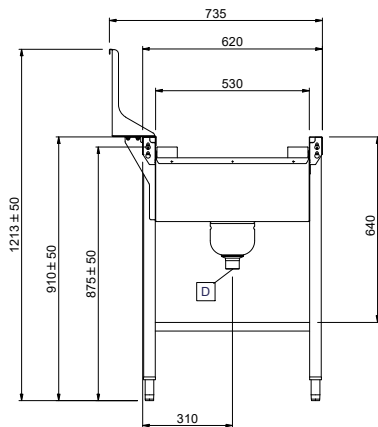
- The table can be used in loading side.
- The short roller conveyor with deep basin is available from 800mm up to 1600mm with 100mm-step length.

APPROVAL: _____

Front

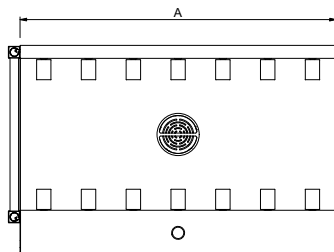


Side



D = Drain

Top



	A
865213	800mm
863071	900mm
863072	1000mm
865214	1100mm
863073	1200mm
863074	1300mm
863075	1400mm
863076	1500mm
865215	1600mm

Key Information:

External dimensions, Width:

863071 (HSSRDB9SB)	900 mm
863072 (HSSRDB10SB)	1000 mm
863073 (HSSRDB12SB)	1200 mm
863074 (HSSRDB13SB)	1300 mm
863075 (HSSRDB14SB)	1400 mm
863076 (HSSRDB15SB)	1500 mm
865213 (HSSRDB8SB)	800 mm
865214 (HSSRDB11SB)	1100 mm
865215 (HSSRDB16SB)	1600 mm

External dimensions, Depth:

735 mm

External dimensions, Height:

1213 mm

Net weight:

863071 (HSSRDB9SB)	26 kg
863072 (HSSRDB10SB)	28 kg
863073 (HSSRDB12SB)	32 kg
863074 (HSSRDB13SB)	34 kg
863075 (HSSRDB14SB)	36 kg
863076 (HSSRDB15SB)	38 kg
865213 (HSSRDB8SB)	1 kg
865214 (HSSRDB11SB)	1 kg
865215 (HSSRDB16SB)	1 kg

Height adjustment:

50/50 mm

Basin material:

Stainless Steel AISI 304 - EN 1.4301

Type of rollers:

Short

Handling System for Dishwasher Short roller conveyors with deep basin and splashback

Optional Accessories

	863071	863072	863073	863074	863075	863076	865213	865214	865215
863077 - Plain undershelf for roller conveyor, 12-00 mm			✓	✓	✓	✓			✓
863078 - Plain undershelf for roller conveyor, 13-00 mm				✓	✓	✓			✓
863079 - Plain undershelf for roller conveyor, 14-00 mm					✓	✓			✓
863080 - Plain undershelf for roller conveyor, 15-00 mm						✓			✓
863103 - Grid undershelf, 12-00 mm			✓	✓	✓	✓			✓
863104 - Grid undershelf, 13-00 mm				✓	✓	✓			✓
863105 - Grid undershelf, 14-00 mm					✓	✓			✓
863106 - Grid undershelf, 15-00 mm						✓			✓
865162 - Emergency stop kit for Rack Type Dishwasher	✓	✓	✓	✓	✓	✓	✓	✓	✓
865163 - Connection plate (short) side to connect handling system to hood type dishwasher on the left side	✓	✓	✓	✓	✓	✓	✓	✓	✓
865164 - Connection plate (long) to connect handling system to hood type dishwasher on the front and right side	✓	✓	✓	✓	✓	✓	✓	✓	✓
865217 - End plate for conveyor table	✓	✓	✓	✓	✓	✓	✓	✓	✓
865219 - Plain undershelf for roller conveyor, 600 mm	✓	✓	✓	✓	✓	✓	✓	✓	✓
865220 - Plain undershelf for roller conveyor, 11-00 mm			✓	✓	✓	✓		✓	✓
865221 - Plain undershelf for roller conveyor, 16-00 mm									✓
865230 - Shut-off valve (suitable for the basin conveyor to close drain)	✓	✓	✓	✓	✓	✓	✓	✓	✓
865231 - Pre-rinse unit (mixer, tap & shower), to be mounted on splashback	✓	✓	✓	✓	✓	✓	✓	✓	✓
865233 - Pre-rinse unit automatic (tap, shower), to be mounted on splashback	✓	✓	✓	✓	✓	✓	✓	✓	✓
865234 - Connection bracket for plain undershelf and grid undershelf (to be used if roller conveyor is connected directly to Rack Type Dishwasher)	✓	✓	✓	✓	✓	✓	✓	✓	✓
865235 - Connection bracket for plain undershelf and grid undershelves (to be used if roller conveyor is connected directly to Rack Type dishwasher with splash hood)	✓	✓	✓	✓	✓	✓	✓	✓	✓
865236 - Grid undershelf, 600 mm	✓	✓	✓	✓	✓	✓	✓	✓	✓
865237 - Grid undershelf, 11-00 mm			✓	✓	✓	✓		✓	✓
865238 - Grid undershelf, 16-00 mm									✓
865253 - Inclined extension table for roller conveyor	✓	✓	✓	✓	✓	✓	✓	✓	✓
865452 - Plain undershelf for roller conveyor, 800 mm	✓	✓	✓	✓	✓	✓	✓	✓	✓
865453 - Grid undershelf, 800 mm	✓	✓	✓	✓	✓	✓	✓	✓	✓

**Handling System for Dishwasher
Short roller conveyors with deep basin and splashback**



The company reserves the right to make modifications to the products without prior notice. All information correct at time of printing.